

BILL OF MATERIAL

- ① CP2910A
- ② CP2910B

GENERAL NOTES:

-PL PREMIUM ADHESIVE MUST BE USED ON ALL BEDDING/BUTT JOINTS



SPECTIS MOULDERS INC.

P.O. BOX 970
100 CEDAR DRIVE
NIVERVILLE, MANITOBA
CANADA R0A 1E0

PHONE: 204-388-6700
PHONE: 800-685-9981
FAX: 204-388-6710

BOX 479
PEMBINA,
NORTH DAKOTA
58271-0479
U.S.A

GENERAL NOTES:
1. ALL PRODUCTS ARE DRAWN FOR PRESENTATION PURPOSES, ONLY IMAGE MAY VARY SLIGHTLY FROM ACTURAL PART
2. DRAWING INTENT IS TO INDICATE GENERAL ARRANGEMENT, DESIGN AND INTENT OF WORK IS PARTLY DIAGRAMATIC.
3. SPECTIS RESERVES THE RIGHT TO CHANGE ANY PRODUCT DESIGN WITHOUT

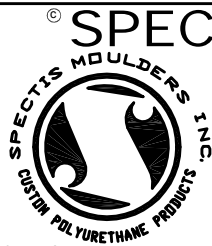
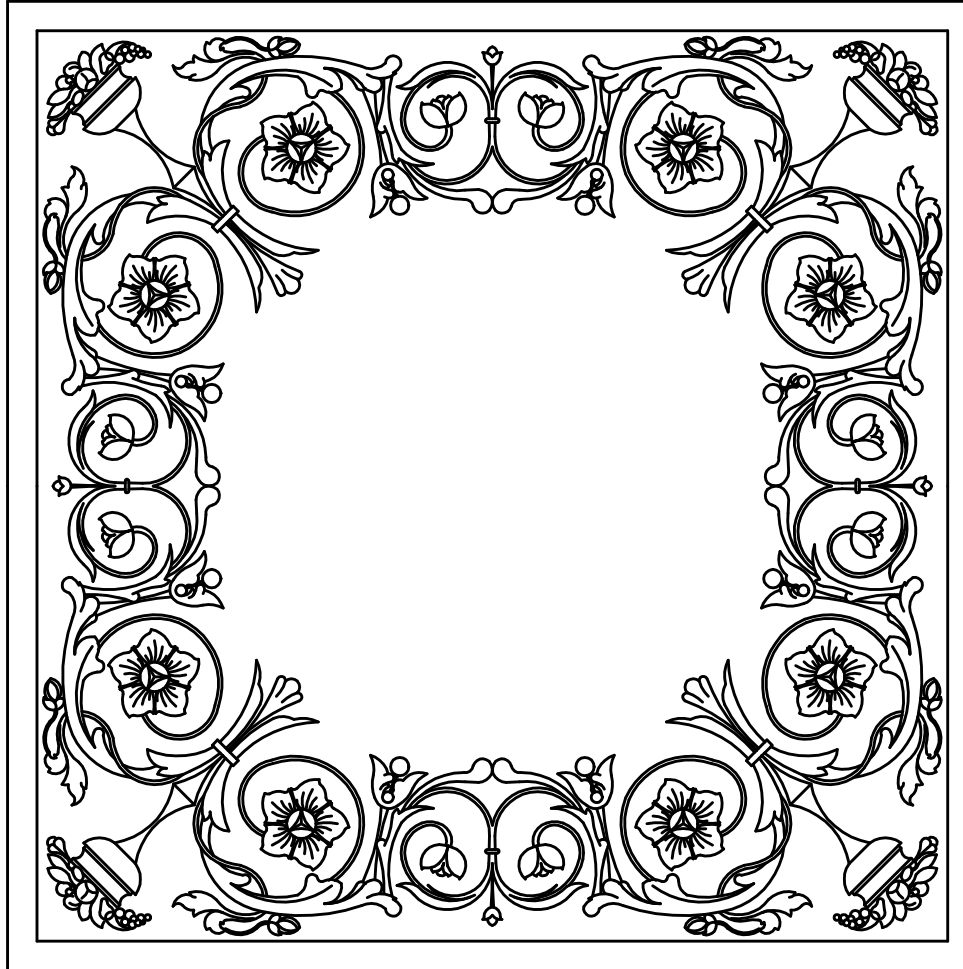
© 2006, Spectis Moulders Inc. All rights reserved. This document may not be

CUSTOMER NAME: STANDARD PRODUCT		PART: CP2910	
REFERENCE: CEILING PANEL		SHEET: 01 OF 01	
DRAWN BY: JRB	DATE: 10/12/07	SCALE: 1/8" = 1"	REV:

1 1/8"

3'-4 3/8"

3'-4 3/8"



© 2006, Spectis Moulders Inc. All rights reserved. This document may not be

SPECTIS MOULDERS INC.

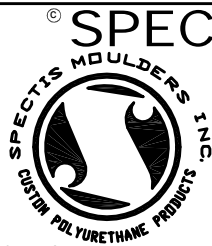
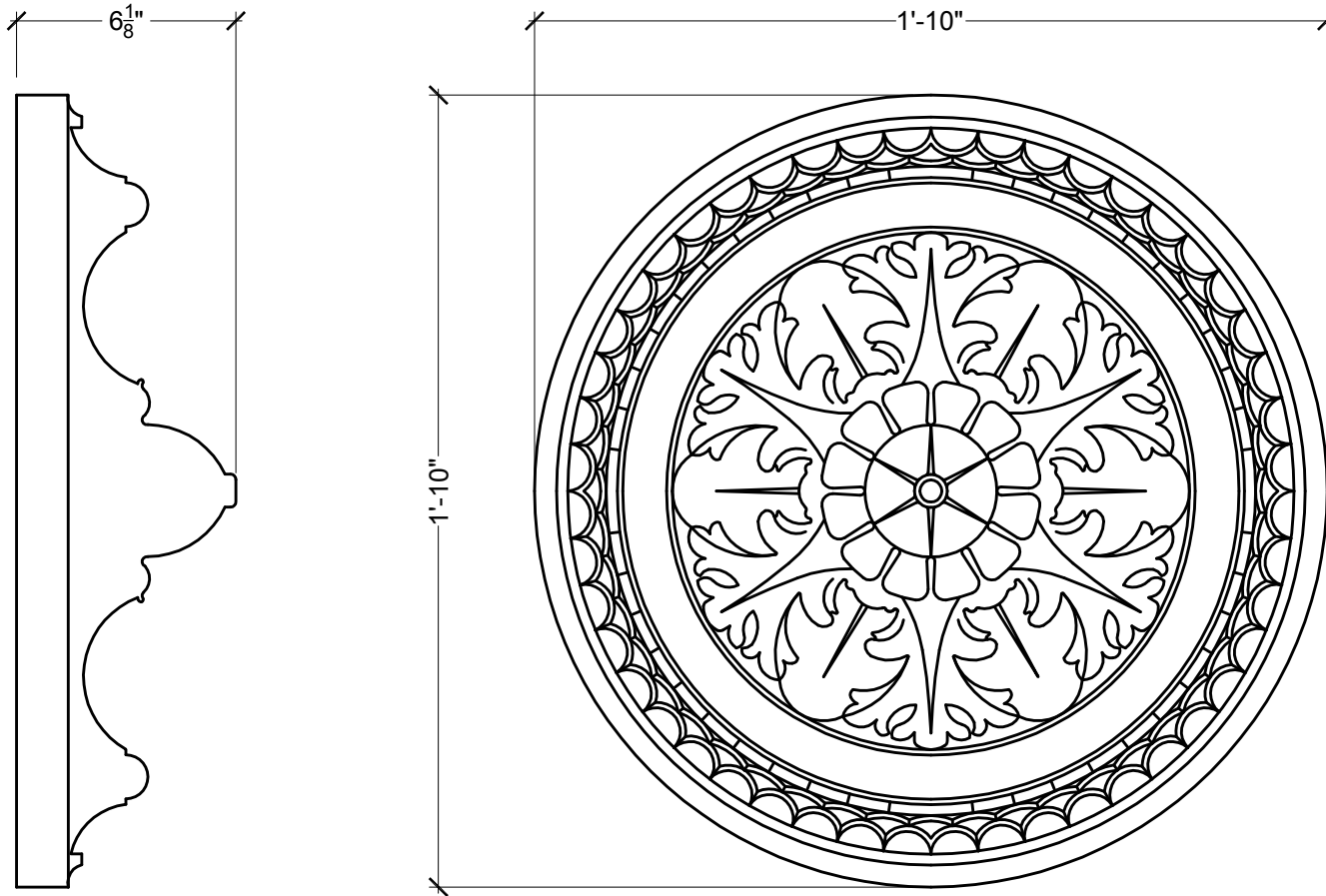
P.O. BOX 970
100 CEDAR DRIVE
NIVERVILLE, MANITOBA
CANADA R0A 1E0

PHONE: 204-388-6700
PHONE: 800-685-9981
FAX: 204-388-6710

BOX 479
PEMBINA,
NORTH DAKOTA
58271-0479
U.S.A

- GENERAL NOTES:
1. ALL PRODUCTS ARE DRAWN FOR PRESENTATION PURPOSES, ONLY IMAGE MAY VARY SLIGHTLY FROM ACTURAL PART
 2. DRAWING INTENT IS TO INDICATE GENERAL ARRANGEMENT, DESIGN AND INTENT OF WORK IS PARTLY DIAGRAMATIC.
 3. SPECTIS RESERVES THE RIGHT TO CHANGE ANY PRODUCT DESIGN WITHOUT

CUSTOMER NAME: STANDARD PRODUCT		PART: CP2910A	
REFERENCE: CEILING PANEL		SHEET: 01 OF 01	
DRAWN BY: JRB	DATE: 10/12/07	SCALE: 1/8" = 1"	REV:



SPECTIS MOULDERS INC.

P.O. BOX 970
100 CEDAR DRIVE
NIVERVILLE, MANITOBA
CANADA R0A 1E0

PHONE: 204-388-6700
PHONE: 800-685-9981
FAX: 204-388-6710

BOX 479
PEMBINA,
NORTH DAKOTA
58271-0479
U.S.A

- GENERAL NOTES:
1. ALL PRODUCTS ARE DRAWN FOR PRESENTATION PURPOSES, ONLY IMAGE MAY VARY SLIGHTLY FROM ACTUAL PART
2. DRAWING INTENT IS TO INDICATE GENERAL ARRANGEMENT, DESIGN AND INTENT OF WORK IS PARTLY DIAGRAMATIC.
3. SPECTIS RESERVES THE RIGHT TO CHANGE ANY PRODUCT DESIGN WITHOUT

© 2006, Spectis Moulders Inc. All rights reserved. This document may not be

CUSTOMER NAME: STANDARD PRODUCT		PART: CP2910B	
REFERENCE: CEILING PANEL		SHEET: 01 OF 01	
DRAWN BY: JRB	DATE: 10/12/07	SCALE: 3/16" = 1"	REV: